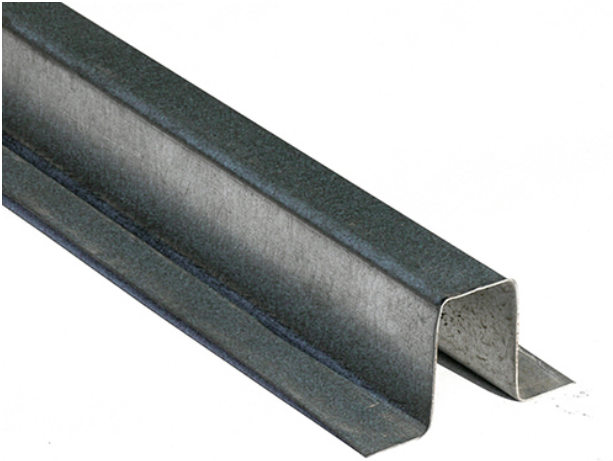


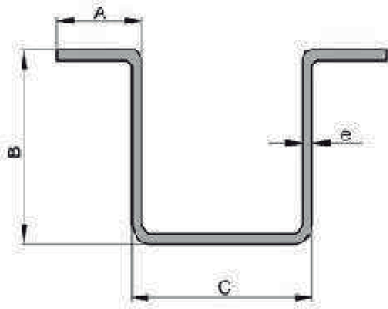


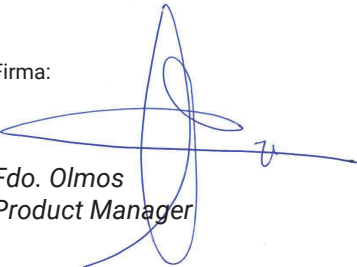
DOP
METALLIC BATTEN 30x30 mm

Galvanized steel profiles to use as battens and counterbattens on the roof installation with clay roof tiles. Fixing the roof batten to the roof structure enables the correct installation and fixing of the roof tile.



DECLARATION OF PERFORMANCES			
Material	Galvanized steel DX 51 D+ZZ275		
Length	5000 mm		
Thickness	0,6 mm		
Dimensions	A - 18 mm	B - 30 mm	C - 30 mm



Firma: 
 Fdo. Olmos
 Product Manager

TEJAS BORJA, S.A.U.
 C.I.F. A-46384764
 Cr. Llíria a Pedralba, Km. 3
 Teléfs. 96 279 80 14 - 96 279 80 15
 46160 LLÍRIA (VALENCIA), ESPAÑA
 Llíria (Valencia), 01 Abril de 2015