

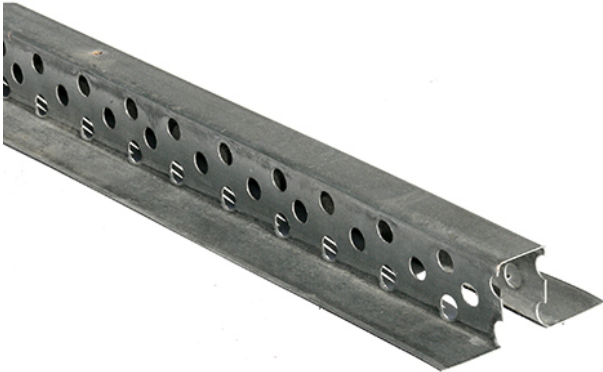


DOP

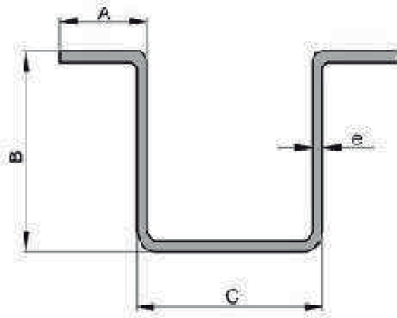
VENTILATED METALLIC BATTEN


The metallic ventilated profile is a special batten for roof tiling. Fixing the roof batten to the roof structure or the thermal insulation enables the correct installation and fixing of the roof tile.

Thanks to the perforations in the profile it enables an air flow under the roof tiles without needing a double batten structure.



DECLARATION OF PERFORMANCES				
Material	Steel. Type DX 51 D; Coating Z-140			
Length	2500 mm			
Thickness	0,7 mm (+/- 0,05 mm)			
Dimensions	A - 20 mm	B - 30 mm	C - 30 mm	(+/-2mm)



Firma: 
 Fdo. Olmos
 Product Manager

TEJAS BORJA, S.A.U.
 C.I.F. A-46384764
 Cr. Llíria a Pedralba, Km. 3
 Teléfs. 96 279 80 14 - 96 279 80 15
 46160 LLÍRIA (VALENCIA), ESPAÑA
 Llíria (Valencia), 01 Abril de 2015